

GSM/GPRS Enabled Wireless RTU

DIN Rail Mount

This wireless RTU is a DIN Rail mount model which can easily be fitted within a panel or enclosure. Its small size make it possible to fit within existing panels also for remort monitroing & control of various applications.



Model: SS-Sensor (2 Channel without LCD display)

Applications:

1. You can connect analogue sensors like temperature, humidity, pressure, flow, level with this wireless RTU for remote monitoring
2. Digital inputs give you option to connect digital inputs – aux. contacts of breakers for status monitoring, water/fluid flow status (pulse/frequency), access monitoring through magnetic switches with aux. contacts, panic button, wire-break sensor, field equipment monitoring through its auxiliary contacts to know its working schedule and total usage hour.
3. This is best suitable for applications where remote switching operations are required such as switching of remotely installed ACBs/OCBs/VCBs/MCCBs/Motor Starters or any other electrical system or machine. You need to send an SMS from your mobile phone to switch ON or switch OFF any machine. You get an instant switching confirmation on your mobile.
4. You can also do the switching operation from your control room PC/Laptop. You need to sign-up for a web based account. Password protected operation to prevent unauthorized use. Google chrome can be downloaded and installed to get the best results.
5. Check the status of remotely installed breakers/machines/processes on your mobile phone.
6. Do automatic switching operation with built in timer. Best application for automatic street light operation, remote operation of electric pumps, monitoring/switching of DG sets/HT sub stations or any system requiring remote switching with return SMS confirmation.



GPRS SIM Card: The unit has a built-in modem which uses a GPRS enabled SIM card for data transmission. Live data can be monitored on your control room PC/Laptop. You can also get the

data on your mobile phone by sending a request SMS to the wireless RTU.

Web based SCADA Software: We provide free web based SCADA software for monitoring & control. User can access his/her data by entering login details. The unit can be configured remotely from the control room through web based SCADA software installed on a internet connected PC or Laptop. The data can be displayed in tabular form or in graphic mode. User can select different pre-stored graphics to display a machine or process.

Set Alert: You can configure the unit to get Hi/Low SMS alerts. Also you can activate a hooter or a buzzer through its auxiliary relay contacts to generate an audio alert.

Data Storage: The data is stored on server for analysis & reports generation (Optional feature). A 4GB pen drive can also be used for local level data storage.

General Specifications:

Supply Voltage: 12 VDC or AC SMPS 90 V AC to 270 VAC
Analogue: 2 nos. 0 – 5 V or 4 – 20mA
Digital: 2 nos. Pulse/Frequency/Counter
Relays: 2 auxiliary contacts @ 5A each

Dimensions (Approx.): 100mm (L) x 70mm (W) x 115mm (H)
Modem: Quad Band
Storage: -25 °C to + 75 °C

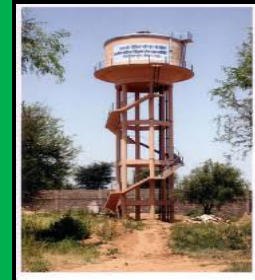
Various Applications:



Cold Storage

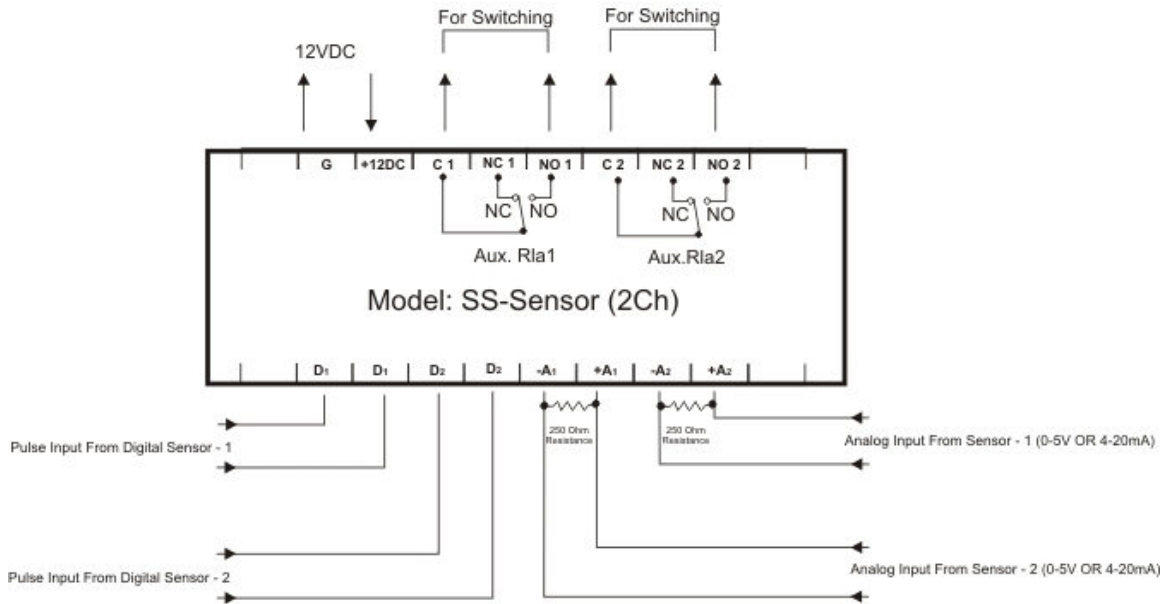


Cooling Tower



Over Head Tanks

Connection Diagram:



Important Note:

- SIM must be inserted and taken out after switching off the power to RTU
- A 250 Ohms (1/4W)resistance is to be connected in parallel with sensor leads to RTU when the sensor output is 4-20mA. Sensor leads & resistance leads must be twisted first and then connected & tighten with the RTU terminal. In any case only resistance or only sensor leads must not be connected to RTU with supply on.